

AXOR Uno

Single lever bath mixer for concealed installation with loop handle

Surfaces: **Chrome** Article Number: **38426000**



Description

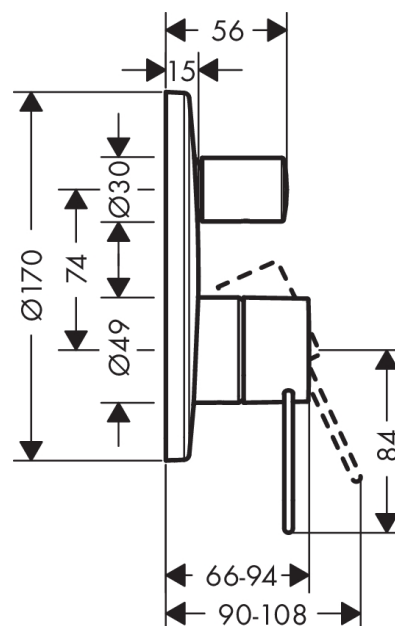
product features

- connection type: basic set
- ceramic cartridge
- min. operating pressure: 1 bar
- max. operating pressure: 10 bar
- temperature limitation adjustable
- with automatic resetting
- with silencer
- suitable for continuous flow water heaters
- PA-IX 9709/ICC
- ACS 19 ACC NY 249, valide jusqu'au 01.08.2024

Product image



Scale drawing



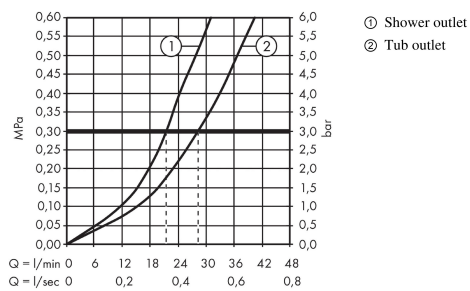
AXOR Uno

Single lever bath mixer for concealed installation with loop handle

Surfaces: **Chrome** Article Number: **38426000**



Flowchart

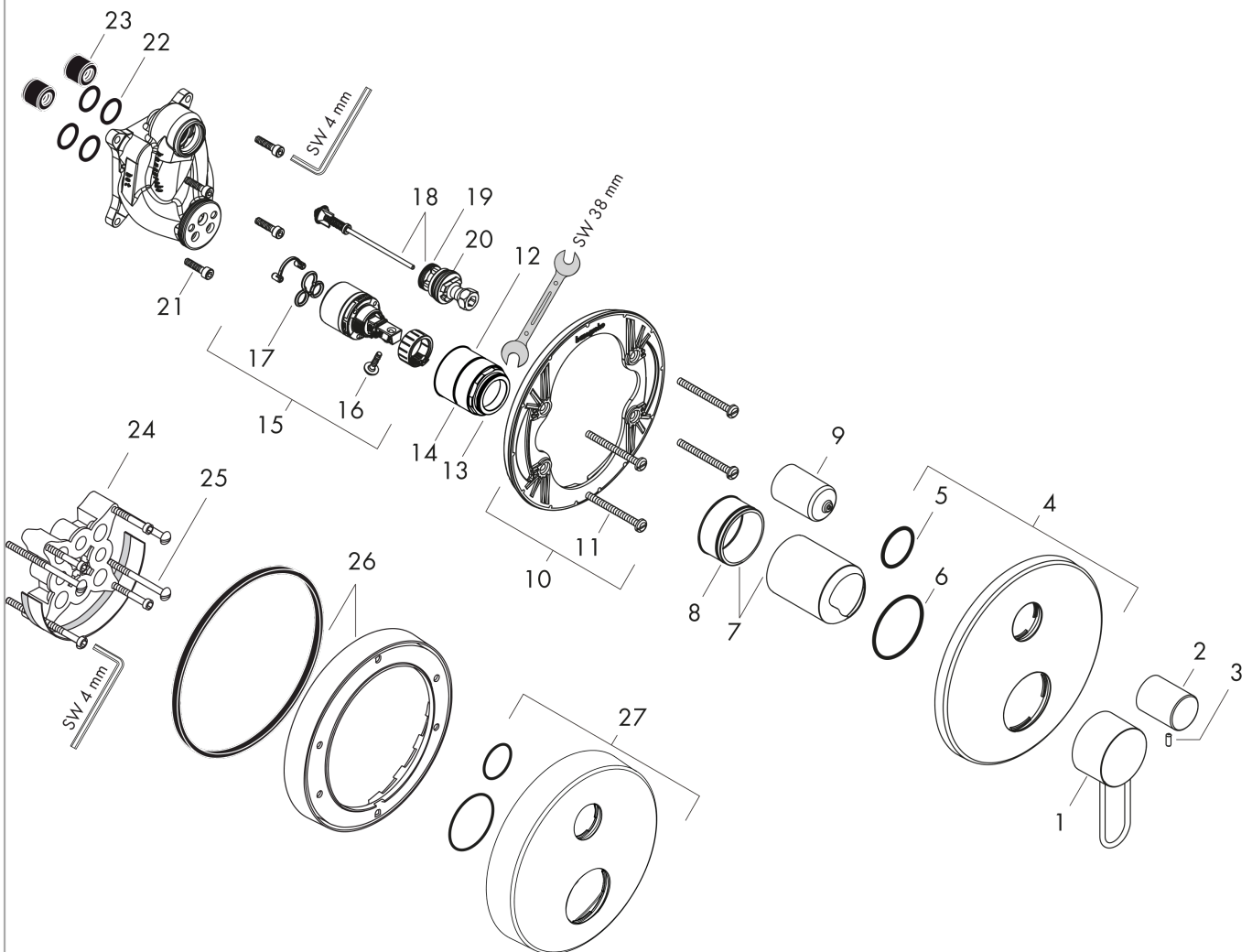


AXOR Uno
Single lever bath mixer for concealed installation with loop handle
 Surfaces: **Chrome** Article Number: **38426000**



Exploded Drawing

Year of production: >04/17



AXOR Uno
Single lever bath mixer for concealed installation with loop handle
 Surfaces: **Chrome** Article Number: **38426000**



Spare part list

Year of production: >04/17

| Pos. | Description | Article Number | PC | PU |
|------|-----------------------------------------------------------|----------------|----|----|
| 1 | handle | 93037000 | 13 | 1 |
| 2 | diverter knob | 96473000 | 10 | 1 |
| 3 | hollow set screw M4x10 | 97667000 | 1 | 1 |
| 4 | escutcheon Ø 170 mm | 95806000 | 14 | 1 |
| 5 | O-ring 29x3 | 98371000 | 2 | 1 |
| 6 | O-Ring 48x3 | 95508000 | 1 | 1 |
| 7 | flange | 98684000 | 9 | 1 |
| 8 | O-ring 43x1,5 | 98148000 | 1 | 1 |
| 9 | sleeve | 96448000 | 9 | 1 |
| 10 | sub plate | 96447000 | 10 | 1 |
| 11 | set of fixing screws | 96454000 | 3 | 1 |
| 12 | nut | 98796000 | 9 | 1 |
| 13 | O-ring 30x1,5 | 98433000 | 1 | 1 |
| 14 | O-ring 39x1,5 | 98400000 | 1 | 1 |
| 15 | cartridge, assy | 92730000 | 11 | 1 |
| 16 | locking screw for handle | 95140000 | 2 | 1 |
| 17 | seal | 95008000 | 3 | 1 |
| 18 | selector assy | 95014000 | 11 | 1 |
| 19 | O-ring 17x2 | 98199000 | 1 | 1 |
| 20 | O-ring 20x2,5 | 92602000 | 2 | 1 |
| 21 | set of screws | 96525000 | 3 | 1 |
| 22 | O-ring 16x2 | 98133000 | 1 | 1 |
| 23 | noise reduction | 94073000 | 7 | 1 |
| 24 | extension 25 mm | 13595000 | 98 | 1 |
| 25 | set of fixing screws | 97747000 | 1 | 1 |
| 26 | extension 22 mm (Ø 170 mm) | 13596000 | 98 | 1 |
| 27 | escutcheon height = 33 mm (when wall is not deep enough). | 14961000 | 98 | 1 |
| a | concealed item | 01800180 | 98 | 1 |
| b | adapter for exchanged connections | 93181000 | 18 | 1 |